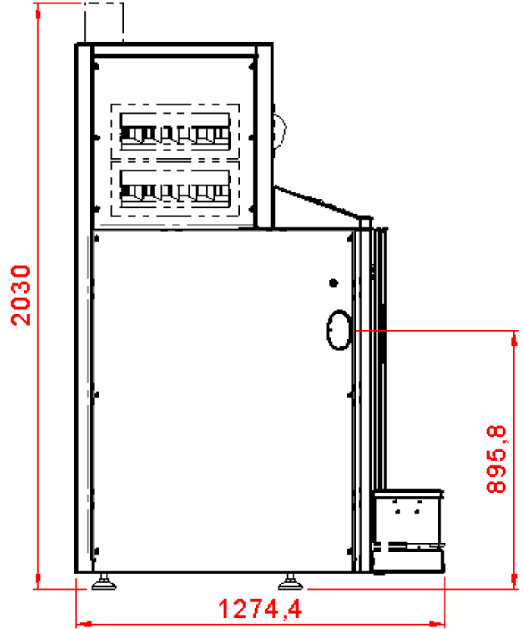
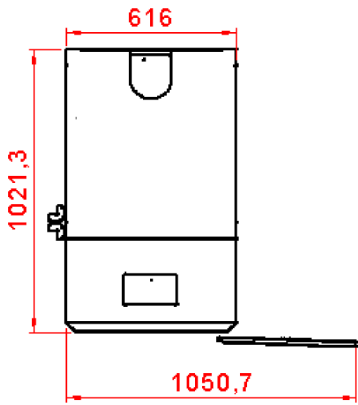
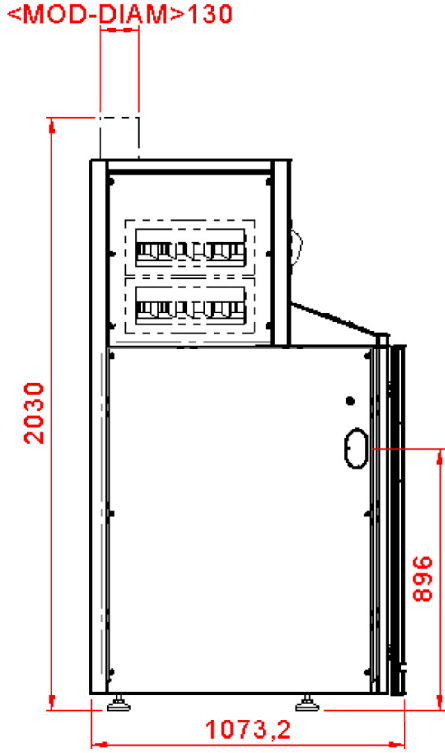
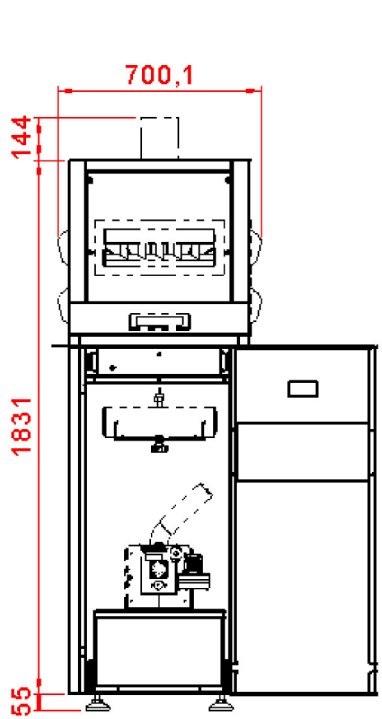


# RTB AIR v16

## DATASHEET/DATABLAD



# DATASHEET/DATABLAD



# DATASHEET/DATABLAD



Product Name	Produkt navn	RTB AIR v16
SKU	SKU	240032
Output (kW)	Effekt (kW)	26,9 kW
Design Model	Design Model	RTB Air v16
Efficiency Nominal Output	Effektivitet Nominel	93,5%
Efficiency Low Output	Effektivitet Lavlast	96,4 %
EN303-5:2012 Test rapport	EN303-5:2012 Test rapport	300-ELAB-2304
Controller:	Styrekontrol	v16
Width, only Boiler (mm)	Bredde, Kun Kedel (mm)	616
Depth (mm)	Dybde (mm)	1073
Height, only Boiler (mm)	Højde, Kun Kedel (mm)	2030
Chimney (mm)	Skorsten (mm)	130
Weight (Kg)	Vægt (Kg)	315
Ash Tray Size (L)	Askeskuffe størrelse (L)	60
Exhaust fan	Røgsuger	Included
Update Via Internet	Opdatering Via Internettet	3 years included
Smoke Temperature Sensor	Røg Temperatur	Included
Timer Function	Timer Funktion	Included
Vacuum Transport System	Vakuum Transport System	*
Oxygen Control	Oxygen Kontrol	Included
Compressor Cleaning Burner	Brænder Kompressor Rensning	Included
Low Noise Compressor	Lydsvag Kompressor	Included
Compressor Control Function	Kompressor Kontrol	Included
Ash Removal	Askefjernelse	Included
Ash Compression	Aske Kompression	Included
Ash Drawer	Askeskuffe	Included
Lazer Distance Sensor (pellet level monitoring)	Laser Afstandsmåler	Included
Under Pressure Sensor	Undertryk Sensor	Included
<b>* Extra accessories required</b>	<b>* Ekstra tilbehør kræves</b>	



NBE PRODUCTION A/S  
 Kjeldgaardsvej 2  
 9300 Sæby  
[www.nbe.dk](http://www.nbe.dk)  
[www.nbe-global.com](http://www.nbe-global.com)